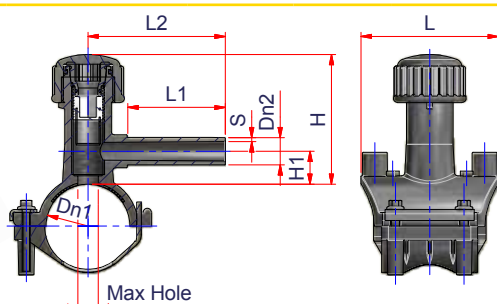




RACCORDI ELETTROSALDABILI ELECTROFUSION FITTINGS



COLLARE DI PRESA IN CARICO CON FONDO STAFFA RIGIDO

Saldabile su SDR 17,6 - 17 - 13,6 - 11

(*) PF (min SDR) = Massima profondità di perforazione

TAPPING TEE

WITH RIGID UNDER CLAMP

Weldable on SDR 17,6 - 17 - 13,6 - 11

(*) PF (min SDR) = Maximum Drilling Depth

GUARDA LE VIDEO ISTRUZIONI SUL NOSTRO CANALE YouTube
WATCH OUR VIDEO INSTRUCTIONS ON OUR YouTube CHANNEL

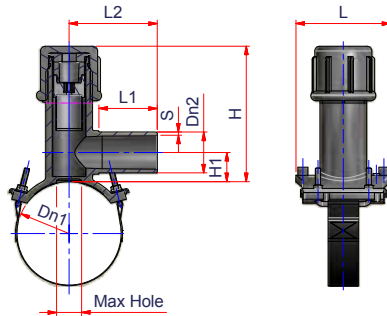


PE100 SDR11 PFA/PN16

| Codice Code | Ø | PF (min SDR)* | Imb. Pack. | Q.tà/Q.ty pallet | Peso Weight kg./p. | Volume m³/p. | Dn1 | Dn2 | S | L1 | L2 | L | H1 | H | Foro max Max hole |
|--------------|--------|---------------|------------|------------------|--------------------|--------------|-----|-----|-----|----|-----|-----|----|-----|-------------------|
| 12EPRES04020 | 40-20 | 11 | 50 | 600 | 0,299 | 0,0016 | 40 | 20 | 3 | 70 | 100 | 100 | 24 | 95 | 17 |
| 12EPRES05020 | 50-20 | 11 | 40 | 480 | 0,309 | 0,0020 | 50 | 20 | 3 | 70 | 100 | 100 | 24 | 95 | 17 |
| 12EPRES06320 | 63-20 | 11 | 40 | 480 | 0,313 | 0,0020 | 63 | 20 | 3 | 70 | 100 | 100 | 24 | 95 | 17 |
| 12EPRES07520 | 75-20 | 11 | 30 | 360 | 0,493 | 0,0027 | 75 | 20 | 3 | 70 | 100 | 100 | 24 | 95 | 17 |
| 12EPRES09020 | 90-20 | 11 | 30 | 360 | 0,387 | 0,0027 | 90 | 20 | 3 | 50 | 100 | 100 | 20 | 100 | 17 |
| 12EPRES11020 | 110-20 | 11 | 25 | 300 | 0,410 | 0,0032 | 110 | 20 | 3 | 50 | 100 | 100 | 20 | 100 | 17 |
| 12EPRES12520 | 125-20 | 11 | 30 | 360 | 0,580 | 0,0027 | 125 | 20 | 3 | 50 | 100 | 100 | 20 | 100 | 17 |
| 12EPRES16020 | 160-20 | 11 | 20 | 240 | 0,690 | 0,0040 | 160 | 20 | 3 | 70 | 100 | 100 | 23 | 110 | 17 |
| 12EPRES18020 | 180-20 | 11 | 20 | 240 | 0,595 | 0,0040 | 180 | 20 | 3 | 70 | 100 | 100 | 23 | 110 | 17 |
| 12EPRES04025 | 40-25 | 11 | 40 | 480 | 0,303 | 0,0020 | 40 | 25 | 3 | 70 | 100 | 100 | 24 | 95 | 17 |
| 12EPRES05025 | 50-25 | 11 | 40 | 480 | 0,318 | 0,0020 | 50 | 25 | 3 | 70 | 100 | 100 | 24 | 95 | 17 |
| 12EPRES06325 | 63-25 | 11 | 40 | 480 | 0,318 | 0,0020 | 63 | 25 | 3 | 70 | 100 | 100 | 24 | 95 | 17 |
| 12EPRES07525 | 75-25 | 11 | 30 | 360 | 0,343 | 0,0027 | 75 | 25 | 3 | 70 | 100 | 100 | 24 | 95 | 17 |
| 12EPRES09025 | 90-25 | 11 | 30 | 360 | 0,527 | 0,0027 | 90 | 25 | 3 | 50 | 100 | 100 | 20 | 100 | 17 |
| 12EPRES11025 | 110-25 | 11 | 20 | 240 | 0,440 | 0,0040 | 110 | 25 | 3 | 50 | 100 | 100 | 20 | 100 | 17 |
| 12EPRES12525 | 125-25 | 11 | 25 | 300 | 0,808 | 0,0032 | 125 | 25 | 3 | 70 | 100 | 100 | 20 | 100 | 17 |
| 12EPRES16025 | 160-25 | 11 | 20 | 240 | 0,700 | 0,0040 | 160 | 25 | 3 | 70 | 100 | 100 | 23 | 110 | 17 |
| 12EPRES18025 | 180-25 | 11 | 20 | 240 | 0,680 | 0,0040 | 180 | 25 | 3 | 70 | 100 | 100 | 23 | 110 | 17 |
| 12EPRES04032 | 40-32 | 11 | 50 | 600 | 0,310 | 0,0016 | 40 | 32 | 3 | 70 | 100 | 100 | 24 | 95 | 17 |
| 12EPRES05032 | 50-32 | 11 | 40 | 480 | 0,310 | 0,0020 | 50 | 32 | 3 | 70 | 100 | 100 | 24 | 95 | 17 |
| 12EPRES06332 | 63-32 | 11 | 35 | 420 | 0,321 | 0,0023 | 63 | 32 | 3 | 70 | 100 | 100 | 24 | 95 | 17 |
| 12EPRES07532 | 75-32 | 11 | 30 | 360 | 0,400 | 0,0027 | 75 | 32 | 3 | 70 | 100 | 100 | 24 | 95 | 17 |
| 12EPRES09032 | 90-32 | 11 | 25 | 300 | 0,400 | 0,0032 | 90 | 32 | 3 | 50 | 100 | 100 | 20 | 100 | 17 |
| 12EPRES11032 | 110-32 | 11 | 20 | 240 | 0,430 | 0,0040 | 110 | 32 | 3 | 50 | 100 | 100 | 20 | 100 | 17 |
| 12EPRES12532 | 125-32 | 11 | 15 | 180 | 0,500 | 0,0053 | 125 | 32 | 3 | 50 | 100 | 100 | 20 | 100 | 17 |
| 12EPRES16032 | 160-32 | 11 | 20 | 240 | 0,680 | 0,0040 | 160 | 32 | 3 | 70 | 100 | 100 | 23 | 110 | 17 |
| 12EPRES18032 | 180-32 | 11 | 20 | 240 | 0,620 | 0,0040 | 180 | 32 | 3 | 70 | 100 | 100 | 23 | 110 | 17 |
| 12EPRES06340 | 63-40 | 11 | 25 | 300 | 0,556 | 0,0003 | 63 | 40 | 3,7 | 70 | 100 | 130 | 32 | 132 | 23 |
| 12EPRES06350 | 63-50 | 11 | 20 | 240 | 0,820 | 0,0040 | 63 | 50 | 4,6 | 62 | 100 | 130 | 32 | 145 | 31 |
| 12EPRES09050 | 90-50 | 11 | 10 | 120 | 1,850 | 0,0080 | 90 | 50 | 4,6 | 90 | 136 | 150 | 62 | 210 | 40,5 |
| 12EPRES11050 | 110-50 | 11 | 10 | 120 | 1,860 | 0,0080 | 110 | 50 | 4,6 | 90 | 136 | 150 | 62 | 210 | 40,5 |
| 12EPRES06363 | 63-63 | 11 | 20 | 240 | 0,855 | 0,0040 | 63 | 63 | 5,8 | 62 | 100 | 130 | 32 | 145 | 31 |
| 12EPRES09063 | 90-63 | 11 | 10 | 120 | 1,900 | 0,0080 | 90 | 63 | 5,8 | 90 | 136 | 150 | 62 | 210 | 40,5 |
| 12EPRES11063 | 110-63 | 11 | 10 | 120 | 1,870 | 0,0080 | 110 | 63 | 5,8 | 90 | 136 | 150 | 62 | 210 | 40,5 |

RACCORDI ELETTRISALDABILI

ELECTROFUSION FITTINGS



COLLARE DI PRESA IN CARICO CON CINGHIA

Saldabile su SDR 17,6 - 17 - 13,6 - 11
(* PF (min SDR)= Massima profondità di perforazione)

TAPPING TEE WITH BELT

Weldable on SDR 17,6 - 17 - 13,6 - 11
(* PF (min SDR)= Maximum Drilling Depth)

GUARDA LE VIDEO ISTRUZIONI SUL NOSTRO CANALE **YouTube**
WATCH OUR VIDEO INSTRUCTIONS ON OUR **YouTube** CHANNEL



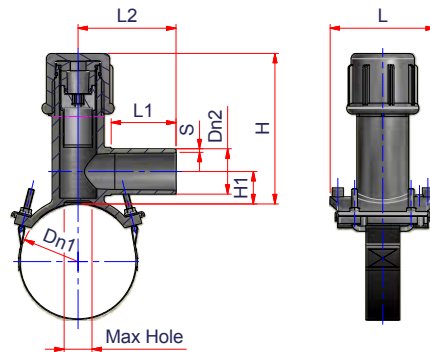
PE100 SDR11 PFA/PN16

| Codice Code | Ø | PF (min SDR)* | Imb. Pack. | Q.tà/Q.ty pallet | Peso Weight kg./p. | Volume m ³ /p. | Dn1 | Dn2 | S | L1 | L2 | L | H1 | H | Foro max Max hole |
|--------------|--------|---------------|------------|------------------|--------------------|---------------------------|-----|-----|-----|----|-----|-----|----|-----|-------------------|
| 12EPRES14020 | 140-20 | 11 | 30 | 360 | 0,793 | 0,0027 | 140 | 20 | 3 | 70 | 105 | 116 | 30 | 125 | 24 |
| 12EPRES20020 | 200-20 | 11 | 30 | 360 | 0,780 | 0,0027 | 200 | 20 | 3 | 70 | 105 | 116 | 30 | 125 | 24 |
| 12EPRES22520 | 225-20 | 11 | 10 | 120 | 1,380 | 0,0080 | 225 | 20 | 3 | 70 | 105 | 150 | 42 | 165 | 24 |
| 12EPRES25020 | 250-20 | 11 | 10 | 120 | 1,400 | 0,0080 | 250 | 20 | 3 | 70 | 105 | 150 | 42 | 165 | 24 |
| 12EPRES28020 | 280-20 | 11 | 10 | 120 | 1,360 | 0,0080 | 280 | 20 | 3 | 70 | 105 | 150 | 42 | 165 | 24 |
| 12EPRES31520 | 315-20 | 11 | 10 | 120 | 1,360 | 0,0080 | 315 | 20 | 3 | 70 | 105 | 150 | 42 | 165 | 24 |
| 12EPRES14025 | 140-25 | 11 | 30 | 360 | 0,767 | 0,0027 | 140 | 25 | 3 | 70 | 105 | 116 | 30 | 125 | 24 |
| 12EPRES20025 | 200-25 | 11 | 25 | 300 | 0,736 | 0,0032 | 200 | 25 | 3 | 70 | 105 | 116 | 30 | 125 | 24 |
| 12EPRES22525 | 225-25 | 11 | 10 | 120 | 1,390 | 0,0080 | 225 | 25 | 3 | 70 | 105 | 150 | 42 | 165 | 24 |
| 12EPRES25025 | 250-25 | 11 | 10 | 120 | 1,380 | 0,0080 | 250 | 25 | 3 | 70 | 105 | 150 | 42 | 165 | 24 |
| 12EPRES28025 | 280-25 | 11 | 10 | 120 | 1,360 | 0,0080 | 280 | 25 | 3 | 70 | 105 | 150 | 42 | 165 | 24 |
| 12EPRES31525 | 315-25 | 11 | 10 | 120 | 1,360 | 0,0080 | 315 | 25 | 3 | 70 | 105 | 150 | 42 | 165 | 24 |
| 12EPRES14032 | 140-32 | 11 | 30 | 360 | 0,760 | 0,0027 | 140 | 32 | 3 | 70 | 105 | 116 | 30 | 125 | 24 |
| 12EPRES20032 | 200-32 | 11 | 30 | 360 | 0,767 | 0,0027 | 200 | 32 | 3 | 70 | 105 | 116 | 30 | 125 | 24 |
| 12EPRES22532 | 225-32 | 11 | 10 | 120 | 1,435 | 0,0080 | 225 | 32 | 3 | 70 | 105 | 150 | 42 | 165 | 24 |
| 12EPRES25032 | 250-32 | 11 | 10 | 120 | 1,410 | 0,0080 | 250 | 32 | 3 | 70 | 105 | 150 | 42 | 165 | 24 |
| 12EPRES28032 | 280-32 | 11 | 10 | 120 | 1,425 | 0,0080 | 280 | 32 | 3 | 70 | 105 | 150 | 42 | 165 | 24 |
| 12EPRES31532 | 315-32 | 11 | 10 | 120 | 1,445 | 0,0080 | 315 | 32 | 3 | 70 | 105 | 150 | 42 | 165 | 24 |
| 12EPRES07540 | 75-40 | 11 | 25 | 300 | 0,738 | 0,0032 | 75 | 40 | 3,7 | 70 | 105 | 116 | 30 | 125 | 24 |
| 12EPRES09040 | 90-40 | 11 | 25 | 300 | 0,738 | 0,0032 | 90 | 40 | 3,7 | 70 | 105 | 116 | 30 | 125 | 24 |
| 12EPRES11040 | 110-40 | 11 | 25 | 300 | 0,738 | 0,0032 | 110 | 40 | 3,7 | 70 | 105 | 116 | 30 | 125 | 24 |
| 12EPRES12540 | 125-40 | 11 | 30 | 360 | 0,748 | 0,0027 | 125 | 40 | 3,7 | 70 | 105 | 116 | 30 | 125 | 24 |
| 12EPRES14040 | 140-40 | 11 | 30 | 360 | 0,840 | 0,0027 | 140 | 40 | 3,7 | 70 | 105 | 116 | 30 | 125 | 24 |
| 12EPRES16040 | 160-40 | 11 | 30 | 360 | 0,742 | 0,0027 | 160 | 40 | 3,7 | 70 | 105 | 116 | 30 | 125 | 24 |
| 12EPRES18040 | 180-40 | 11 | 30 | 360 | 0,767 | 0,0027 | 180 | 40 | 3,7 | 70 | 105 | 116 | 30 | 125 | 24 |
| 12EPRES20040 | 200-40 | 11 | 30 | 360 | 0,793 | 0,0027 | 200 | 40 | 3,7 | 70 | 105 | 116 | 30 | 125 | 24 |
| 12EPRES22540 | 225-40 | 11 | 10 | 120 | 1,400 | 0,0080 | 225 | 40 | 3,7 | 70 | 105 | 150 | 42 | 165 | 24 |
| 12EPRES25040 | 250-40 | 11 | 10 | 120 | 1,380 | 0,0080 | 250 | 40 | 3,7 | 70 | 105 | 150 | 42 | 165 | 24 |
| 12EPRES28040 | 280-40 | 11 | 10 | 120 | 1,420 | 0,0080 | 280 | 40 | 3,7 | 70 | 105 | 150 | 42 | 165 | 24 |
| 12EPRES31540 | 315-40 | 11 | 10 | 120 | 1,400 | 0,0080 | 315 | 40 | 3,7 | 70 | 105 | 150 | 42 | 165 | 24 |

segue / follow ...



RACCORDI ELETTRISALDABILI ELECTROFUSION FITTINGS



COLLARE DI PRESA IN CARICO CON CINGHIA

Saldabile su SDR 17,6 - 17 - 13,6 - 11
(*) PF (min SDR)= Massima profondità di perforazione

TAPPING TEE WITH BELT

Weldable on SDR 17,6 - 17 - 13,6 - 11
(*) PF (min SDR)= Maximum Drilling Depth

PE100 SDR11 PFA/PN16

| Codice Code | Ø | PF (min SDR)* | Imb. Pack. | Q.tà/Q.ty pallet | Peso Weight kg./p. | Volume m ³ /p. | Dn1 | Dn2 | S | L1 | L2 | L | H1 | H | Foro max Max hole |
|--------------|--------|---------------|------------|------------------|--------------------|---------------------------|-----|-----|-----|----|-----|-----|----|-----|-------------------|
| 12EPRES07550 | 75-50 | 11 | 10 | 120 | 1,240 | 0,0080 | 75 | 50 | 4,6 | 90 | 136 | 150 | 62 | 210 | 40,5 |
| 12EPRES12550 | 125-50 | 11 | 10 | 120 | 1,870 | 0,0080 | 125 | 50 | 4,6 | 90 | 136 | 150 | 62 | 210 | 40,5 |
| 12EPRES14050 | 140-50 | 11 | 10 | 120 | 1,900 | 0,0080 | 140 | 50 | 4,6 | 90 | 136 | 150 | 62 | 210 | 40,5 |
| 12EPRES16050 | 160-50 | 11 | 6 | 72 | 2,200 | 0,0133 | 160 | 50 | 4,6 | 90 | 136 | 150 | 62 | 210 | 40,5 |
| 12EPRES18050 | 180-50 | 11 | 6 | 72 | 2,167 | 0,0133 | 180 | 50 | 4,6 | 90 | 136 | 150 | 62 | 210 | 40,5 |
| 12EPRES20050 | 200-50 | 11 | 6 | 72 | 2,233 | 0,0133 | 200 | 50 | 4,6 | 90 | 136 | 150 | 62 | 210 | 40,5 |
| 12EPRES22550 | 225-50 | 11 | 6 | 72 | 2,217 | 0,0133 | 225 | 50 | 4,6 | 90 | 136 | 150 | 62 | 210 | 40,5 |
| 12EPRES25050 | 250-50 | 11 | 6 | 72 | 2,217 | 0,0133 | 250 | 50 | 4,6 | 90 | 136 | 150 | 62 | 210 | 40,5 |
| 12EPRES28050 | 280-50 | 11 | 6 | 72 | 2,217 | 0,0133 | 280 | 50 | 4,6 | 90 | 136 | 150 | 62 | 210 | 40,5 |
| 12EPRES31550 | 315-50 | 11 | 6 | 72 | 2,233 | 0,0133 | 315 | 50 | 4,6 | 90 | 136 | 150 | 62 | 210 | 40,5 |
| 12EPRES07563 | 75-63 | 11 | 10 | 120 | 1,330 | 0,0080 | 75 | 63 | 5,8 | 90 | 136 | 150 | 62 | 210 | 40,5 |
| 12EPRES12563 | 125-63 | 11 | 10 | 120 | 1,870 | 0,0080 | 125 | 63 | 5,8 | 90 | 136 | 150 | 62 | 210 | 40,5 |
| 12EPRES14063 | 140-63 | 11 | 10 | 360 | 1,870 | 0,0080 | 140 | 63 | 5,8 | 90 | 136 | 150 | 62 | 210 | 40,5 |
| 12EPRES16063 | 160-63 | 11 | 10 | 120 | 1,800 | 0,0080 | 160 | 63 | 5,8 | 90 | 136 | 150 | 62 | 210 | 40,5 |
| 12EPRES18063 | 180-63 | 11 | 6 | 72 | 2,225 | 0,0133 | 180 | 63 | 5,8 | 90 | 136 | 150 | 62 | 210 | 40,5 |
| 12EPRES20063 | 200-63 | 11 | 6 | 72 | 2,233 | 0,0133 | 200 | 63 | 5,8 | 90 | 136 | 150 | 62 | 210 | 40,5 |
| 12EPRES22563 | 225-63 | 11 | 6 | 72 | 2,217 | 0,0133 | 225 | 63 | 5,8 | 90 | 136 | 150 | 62 | 210 | 40,5 |
| 12EPRES25063 | 250-63 | 11 | 6 | 72 | 2,200 | 0,0133 | 250 | 63 | 5,8 | 90 | 136 | 150 | 62 | 210 | 40,5 |
| 12EPRES28063 | 280-63 | 11 | 6 | 72 | 2,217 | 0,0133 | 280 | 63 | 5,8 | 90 | 136 | 150 | 62 | 210 | 40,5 |
| 12EPRES31563 | 315-63 | 11 | 6 | 72 | 2,233 | 0,0133 | 315 | 63 | 5,8 | 90 | 136 | 150 | 62 | 210 | 40,5 |